



Accord®

60" x 30" bath/shower w/AIP backerboards

71140118



Features

- 17-1/4 (438 mm) apron.
- Pivot snap-together modular design.
- Smooth, high-gloss walls.
- Molded-in shelves.
- Aging in Place backerboards.
- 3" (76 mm) drain-to-floor clearance for above-floor drain installation.

Material

- Made from solid Vikrell® material for strength, durability, and lasting beauty.

Installation

- Alcove.
- Left drain.
- Caulk-free installation.

Recommended Products/Accessories

- 71147103 30" tile bath/shower w/ADA-adaptable grab bar kit
- 71147104 30" bath seat kit
- K-23726 Drain treatment
- K-23733 Vikrell® cleaner

Included Components

Product consists of:

- 71144106 60" x 31-1/4" tile wall set w/AIP backerboards
- 71141118 60" x 30" AFD bath w/ AIP backerboard



Codes/Standards

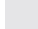

- CSA B45.5/IAPMO Z124
- ASTM E162
- ASTM E662
- HUD, UM Bulletin 73

Warranty – Bathing Fixtures (and Kitchen and Utility Sinks Made of Solid Vikrell® Material)

See website for detailed warranty information.

Available Colors/Finishes

Color tiles intended for reference only.

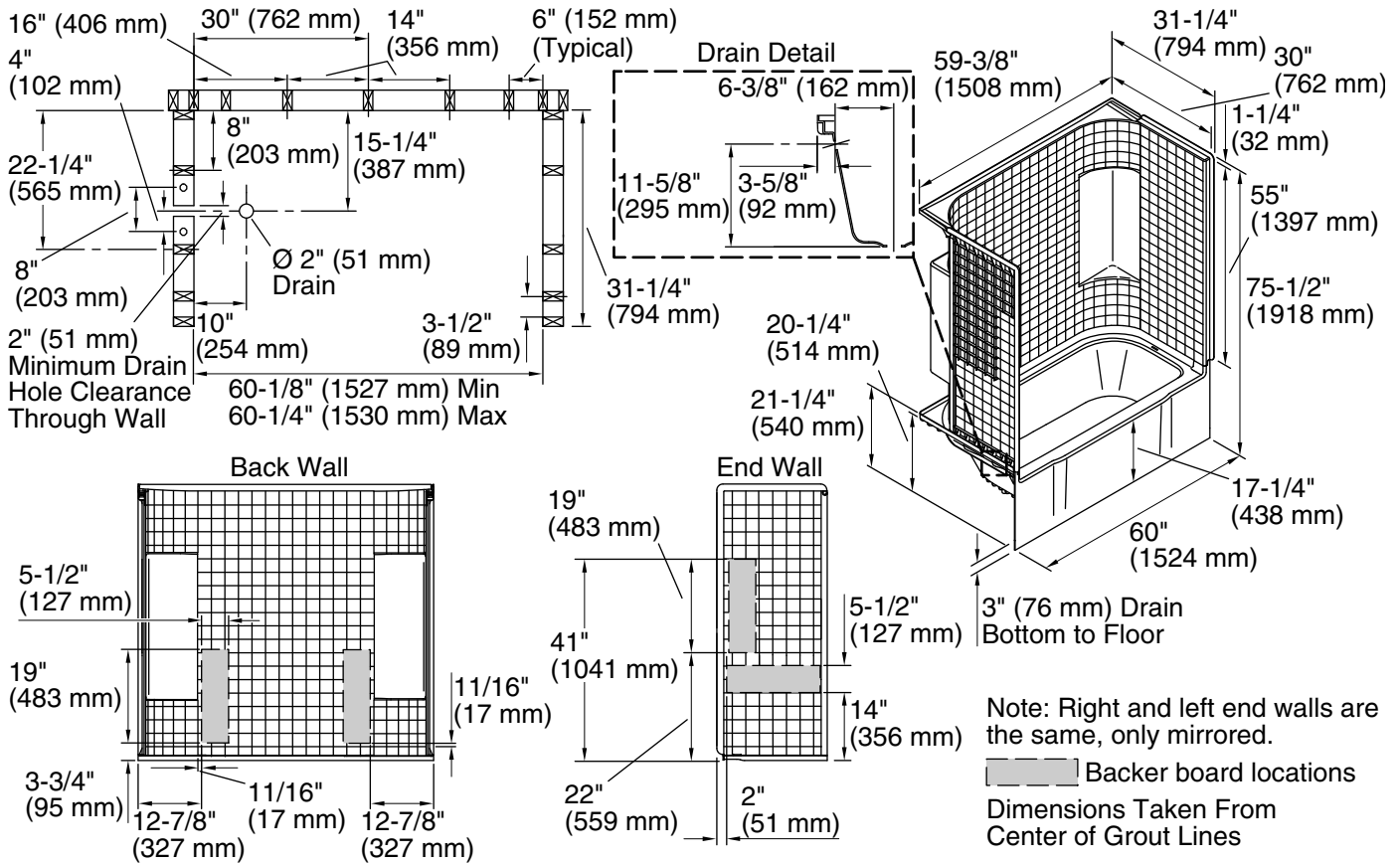
| Color | Code | Description |
|---|------|----------------|
|  | 0 | White |
|  | 96 | KOHLER Biscuit |

1-800-STERLING (1-800-783-7546)

Kohler Co. reserves the right to make revisions without notice to product specifications.

For the most current Specification Sheet, go to www.sterlingplumbing.com.

5-29-2021 21:14 - US/CA



Technical Information

All product dimensions are nominal.

| | |
|----------------------|--------------------------------------|
| Installation: | Three-wall alcove |
| Drain location: | Left |
| Basin area, bottom: | 46-1/4" x 20-1/2" (1175 mm x 521 mm) |
| Basin area, top: | 52-1/4" x 22-1/2" (1327 mm x 572 mm) |
| Water depth: | 11" (279 mm) |
| Water capacity: | 34 gal (128.7 L) |
| Maximum door height: | 56-1/2" (1435 mm) |
| Maximum door width: | 56-3/4" (1441 mm) |

Notes

- Install this product according to the installation instructions.
- Product is designed to be used with a single-hole mixer valve with an escutcheon cover not to exceed 7-3/4" (197 mm) in width.
- Studs should be positioned roughly as shown.
- Bath cannot be installed without the wall surround.
- Attach grab bars at the specified backerboard locations only.
- Width shifts from 60" (1524 mm) at front to 59-3/8" (1508 mm) at back. Use 1/4" (6 mm) furring strips at back for drywall over nailing-in flange installation.
- ADA adaptable when grab bars and seat are installed per the specific requirements of these regulations.
- For future ADA compliance, select a mixing valve location that will not interfere with a control wall grab bar.